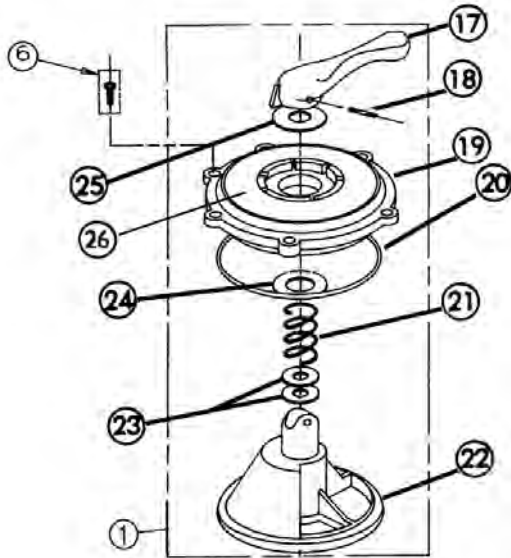
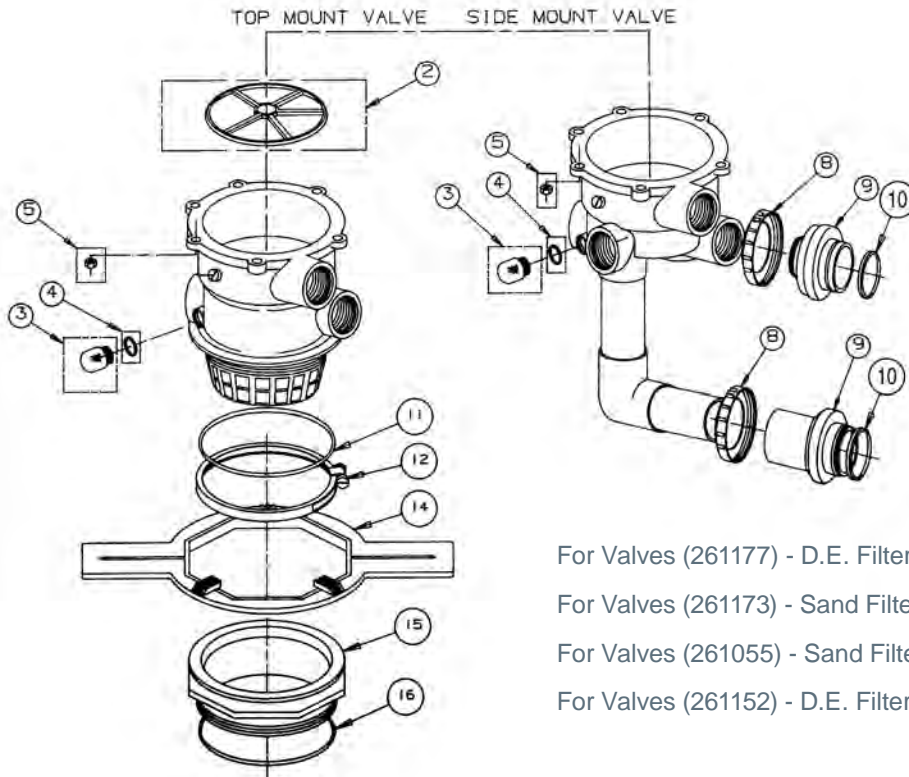


TOP MOUNT / SIDE MOUNT VALVES

REPLACEMENT PARTS FOR PACFAB MULTIPOINT VALVES



For use on TR, TA, NS or FNS filters



For Valves (261124, 261185)

For Valves (261177) - D.E. Filters
 For Valves (261173) - Sand Filters
 For Valves (261055) - Sand Filters
 For Valves (261152) - D.E. Filters

CALIFORNIA PROPOSITION 65 WARNING
 ⚠️ **WARNING:** Cancer and Reproductive Harm.
 ⚠️ **AVERTISSEMENT:** Peut Causer le Cancer et des Dommages au Système Reproducteur.
 ⚠️ **ADVERTENCIA:** Cáncer y Daño Reproductivo.
www.p65warnings.ca.gov PH 201714

TOP MOUNT / SIDE MOUNT VALVES (CONT'D)

REPLACEMENT PARTS FOR PACFAB MULTIPOUR VALVES

Item	Part No.	Description
TM/SM HIFLOW MULTIPOUR VALVES		
1	270068	Top valve assy. 1-1/2 in.
1	270067	Top valve assy. 2 in.
2	271104	Gasket - diverter, 1-1/2 in.
2	271148Z	Gasket - diverter, 2 in.
3	272550	Sight glass
4	271106	Gasket - sight glass
5	152167	Nut, M6 s/s, 6 req.
6	152168	Screw - M6 x 30mm s/s, 6 req.
8	274407	Nut - bulkhead adapter, 2 req.
9	274404	Adapter - valve, slip 1-1/2 in.
9	274651	Adapter - valve, threaded 1-1/2 in.
9	274556	Adapter - valve thread, 2 in.
10	274494	O-ring - adapter, 2 req.
11	272541	O-ring - valve adapter, 1-1/2 in.
11	275333	O-ring - valve, 2 in.
12	152165	Clamp with screws and nuts, 1-1/2 in.
12	152130	Band assy. - valve, 2 in.
14	154512	Wrench - flanged valve, 1-1/2 in.
14	151608	Wrench - adapter flange
15	155225	Adapter - flanged std. thread, 1-1/2
15	152520Z	Adapter - flanged buttness, 1-1/2 in.

Item	Part No.	Description
15	154521	Adapter - flange buttness thread, 2 in.
16	154493	O-ring flanged valve adapter, 1-1/2 in.
16	152501	O-ring - adapter, 2 in.
17	271156	Handle
18	271164	Pin, handle
19	271158	Valve top, white, 1-1/2 in.
19	271165	Valve top, black, 1-1/2 in.
19	271166	Top valve cover, blk, 2 in.
19	271169	Top valve cover, blk, 2 in.
20	271103	O-ring, valve top, 1-1/2 in.
20	271151	O-ring, valve top, 2 in.
21	271161	Valve spring
22	271163	Valve diverter, 1-1/2 in.
22	271168	Valve diverter, 2 in.
23	191479	O-ring, stem, 2 req.
24	271160	Washer, valve spring
25	271157	Washer, handle
26	273208	Label 2 in. Sand (261055)
26	273207	Label 2 in. D.E. (261152)
26	271140	Label 1.5 in. Sand (261173)
26	271141	Label 1.5 in. D.E. (261177)
26	272035	Label 1.5 in. Sand (261124)
26	273211	Label 2 in. Sand (261185)

CALIFORNIA PROPOSITION 65 WARNING

⚠ **WARNING:** Cancer and Reproductive Harm.
 ⚠ **AVERTISSEMENT:** Peut Causer le Cancer
 et des Dommages au Système Reproducteur.
 ⚠ **ADVERTENCIA:** Cáncer y Daño Reproductivo.
www.p65warnings.ca.gov

P65-2014