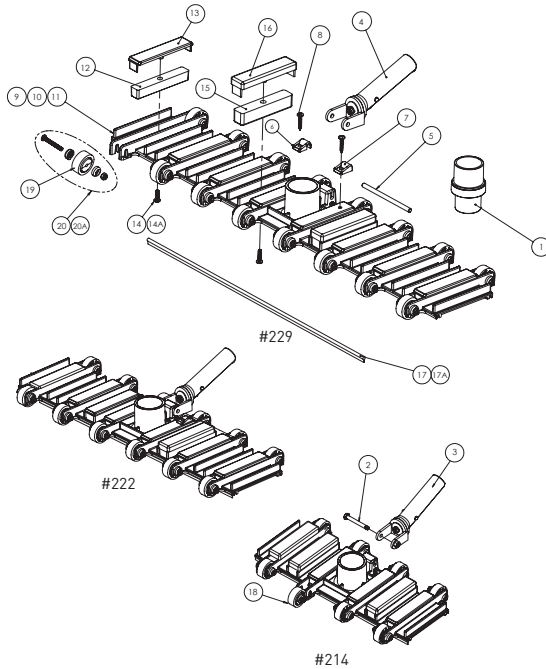


PROVAC® VACUUM - MODEL 214R, 222R, 214, 222, 229

REPLACEMENT PARTS



Item	Part No.	Description
Product No. : R201270 R201276 R201286 R201290 R201296		
Model No. : 214R 214 222 222R 229		
Description: PROVAC® FLEXIBLE VACUUM		
1	R201566	Hose swivel adapter
2	R201496	Stainless steel nut & bolt for handle (No. 214, No. 214R & No. 222R)
3	R201476	No. 192 Snap-adapt handle (No. 214R, No. 222R)
4	R201408	No. 152 Metal swivel handle (No. 214, No. 222 & No. 229)
5	R03161	Stainless steel shaft (No. 222 & No. 229)
6	R03087	Left shaft retainer
7	R03088	Right shaft retainer
8	R01023	Screw, shaft retainer
9	R03152	Flexible body only (No. 214)
10	R03153	Flexible body only (No. 222)
11	R03154	Flexible body only (No. 229)
12	R02006	Lead only
13	R03128	Lead cover only
14	R01074	Screw, lead cover 5/8 in.
14A	R01075	Screw, lead cover 3/4 in.
15	R02009	Lead, large only
16	R03160	Lead cover, large only
17	R201776	White flex strip, short leg, 5 ft. bubble pack
17A	R201778	Blue flex strip, long leg, 5 ft. bubble pack
18	R03021	No. 174 Solid plastic wheel (No. 214R, No. 222R)
19	R201557	No. 175 Ball bearing polyurethane wheel
20	R201456	Axle assembly, does not include wheel (No. 214R, No. 222R)
20A	R201458	Axle assembly, does not include wheel (No. 214, No. 222, No. 229)