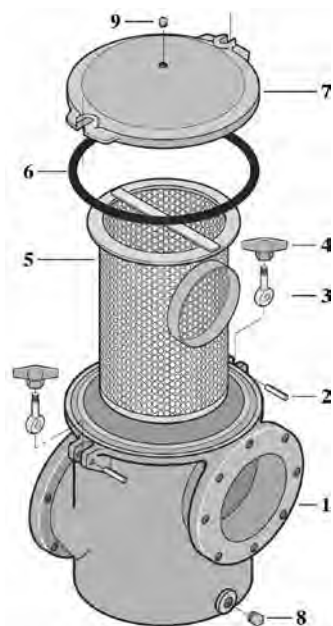


CALIFORNIA PROPOSITION 65 WARNING

⚠ **WARNING:** Cancer and Reproductive Harm.
 ⚠ **AVERTISSEMENT:** Peut Causer le Cancer et des Dommages au Système Reproducteur.
 ⚠ **ADVERTENCIA:** Cáncer y Daño Reproductivo.
www.p65warnings.ca.gov

PACKAGE
No. 184
No. 184C
No. 184E
No. 184CE



Item	Part No.	Description
STANDARD FLANGE REPLACEMENT PARTS		
1	16401-0010	Strainer Body (Pkg. 184, 184E)
1	16401-2015	Strainer Body (Pkg. 184C, 184CE) ¹
2	35857-0031	Spring Pin
3	30767-0011	Toggle Bolt
4	35404-0319	Wing Nut
5	16401-0102	Strainer Basket
6	35505-0421	O-Ring
7	16401-0210	Strainer Cover (Pkg. 184, 184E)
7	16401-2215	Strainer Cover (Pkg. 184C, 184CE) ¹
8	U78-59D	Pipe Plug, 1/2 in. Square Head Brass
NOT SHOWN		
	33450-8041	Gasket, 6 in. Pipe Flange
	16830-0401	Hardware Kit (includes 16 each 3/4 in. lockwashers, 3/4-10 x 2 in. Capscrews)
	61002-0012	Tag, Hazardous Suction

¹ Epoxy coated.