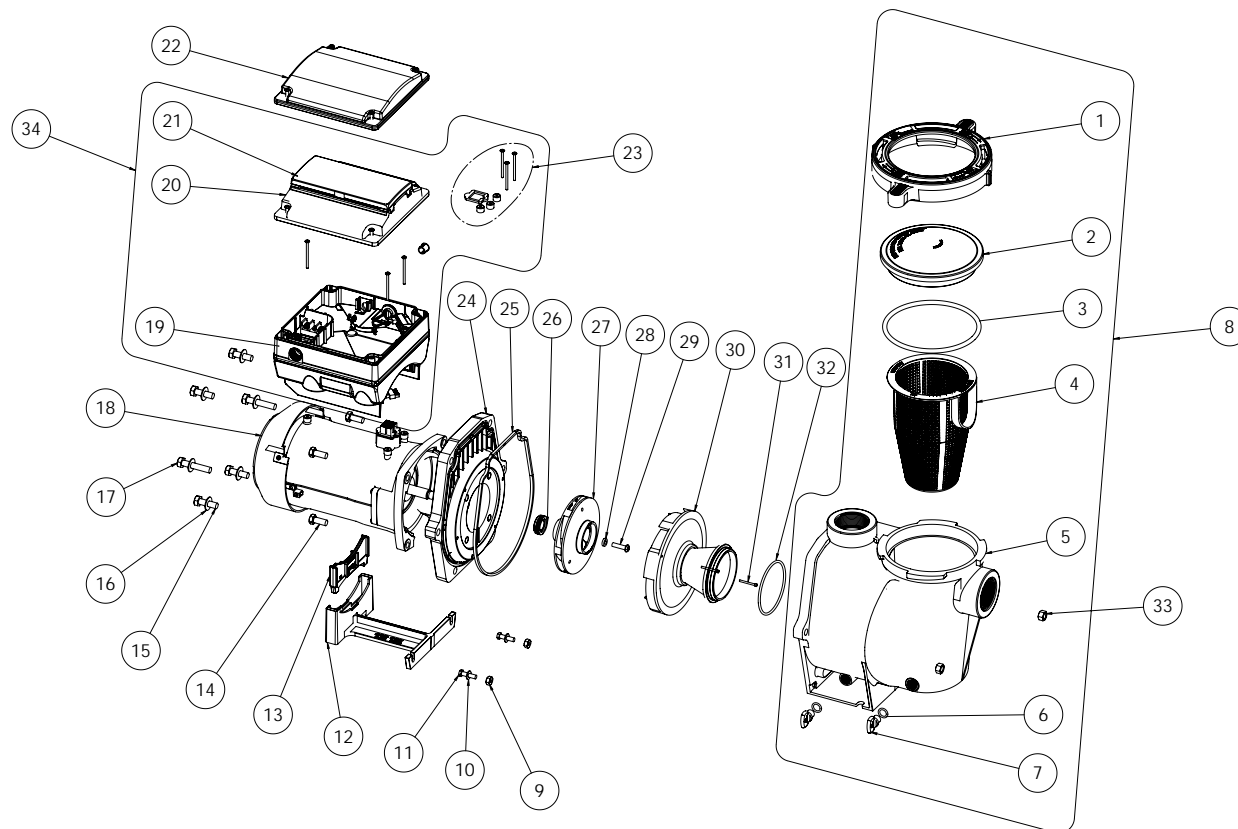


# INTELLIPRO® VS+SVRS PUMP - AFTER JUNE 2016

## REPLACEMENT PARTS



Item	Part No.	Description	US List	Can. List
<b>INTELLIPRO VS+SVRS PUMP</b>				
1	357150	Clamp, Cam and Ramp		
2	357151	See-through Lid		
3	350013Z	Lid O-Ring		
4	070387Z	Strainer Basket		
5	357157	Volute WF		
6	192115Z	O-Ring 112 for Drain Plug (Qty 2)		
7	357161Z	Drain Plug WF (Qty 2)		
8	357244	Volute Kit (Contains items #1-7)		
9	071406	Nut 1/4-20 Hex SS (Qty 2)		
10	072183	Washer, Flat 1/4" ID x 5/8" OD (Qty 2)		
11	071657Z	Screw 1/4-20 x 1" Hex Cap SS (Qty 2)		
12	357159	Foot WF		
13	357160	Foot Insert WFE Pump Motor Support		
14	070429ZZ	Bolt, Hex Head 3/8-16 x 1.25" (Qty 4)		
15	072184	Washer, Flat 3/8" ID x 7/8 OD (Qty 6)		
16	070430	Bolt, Hex Head 3/8-16 x 1.25" (Qty 4)		
17	070431	Bolt, Hex Head 3/8-16 x 2" (Qty 2)		
18	350306S	Motor, 3.2 kW 10 Pole		
19	356912Z	Drive, Variable Speed		
20	358527Z	Keypad Assembly Kit (Contains item #21)		
21	401100	Keypad Cover		
22	356905Z	Keypad Relocation Kit (Contains Keypad Relocation cable and Blank Drive Cover)		

Item	Part No.	Description
23	355685	Drive Hardware Kit (Contains Drive Screws, Drive Gasket and Screw Caps)
24	357158	Seal Plate
25	357100Z	Seal Plate Gasket
26	071734S	Mechanical Seal
27	073131	Impeller
28	075713	Rubber Washer, Impeller Set Screw
29	071652Z	Impeller Set Screw 1/4-20 LH Thread
30	072928	Diffuser
31	071660Z	Diffuser Set Screw 4-40 x 1-1/8 (Qty 2)
32	355227Z	Diffuser O-Ring
33	071403	Nut 3/8" Brass, Nickel Plated (Qty 2)
34	356913Z	Drive Kit (Incl. Items #19-23)
<b>NOT SHOWN</b>		
	350122	50 Ft. Communication Cable
	350203	Seal Plate Kit w/Mechanical Seal (Incl. Items #24, 25 and 26)
	357603	Union Kit (Incl. 2 complete unions for 1 pump - Not included with pump)
	350198	Seal Plate Kit (Ozone/Salt resistant)
	352501	Motor Fan Kit

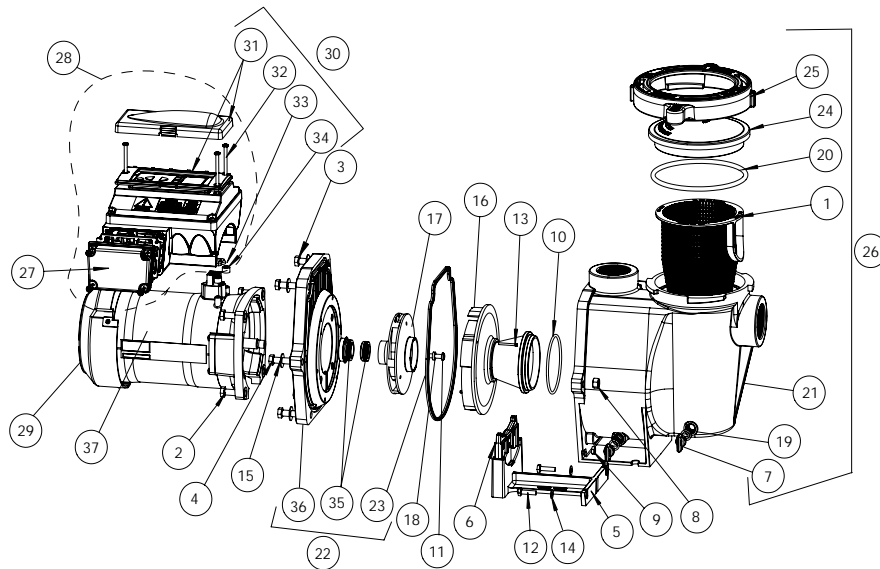
**CALIFORNIA PROPOSITION 65 WARNING**

⚠ **WARNING:** Cancer and Reproductive Harm.  
 ⚠ **AVERTISSEMENT:** Peut Causer le Cancer et des Dommages au Système Reproducteur.  
 ⚠ **ADVERTENCIA:** Cáncer y Daño Reproductivo.

[www.p65warnings.ca.gov](http://www.p65warnings.ca.gov)

# INTELLIPRO® VS+SVRS PUMP - BEFORE JUNE 2016

## REPLACEMENT PARTS



Item	Part No.	Description
<b>INTELLIPRO VS+SVRS PUMP</b>		
1	070387Z	Basket WF
2	070429ZZ	Bolt hex HD, 2-56 x .875 S/S, 4 req.
3	070430	Bolt, 3/8-16 x 1-1/4 hex cap 18-8 S/S, 4 req.
4	070431	Bolt, 3/8-16 x 2 hex cap 18-8 S/S, 2 req.
5	357159	Foot WF, pump motor support, black
6	357160	Foot insert WF pump, black
7	357161Z	Plug drain WFE, black, 2 req.
8	071403	Nut, 3/8-16 brass nickel plated, 2 req.
9	071406	Nut, 1/4-20 hex S/S, 2 req.
10	355227Z	O-ring #238, 3.484 x .139, buna N 70
11	071652Z	Screw, 1/4, 20 x 1 LH phillips pan MS 18-8 S/S, 1 req.
12	071657Z	Screw, 1/4-20 x 1 in. hex cap 18-8 S/S, 2 req.
13	071660Z	Screw set, 4-40 x 1-1/8 WFE sckt cap 18-8 S/S, 2 req.
14	072183	Washer, flat 1/4 x 5/8 20GA thick 18-8 S/S, 2 req.
15	072184	Washer, 3/8 ID x 7/8 OD .05 thick 18-8 S/S, 6 req.
16	072928	Diffuser assembly, black
17	073131	Impeller, IntelliPro VS+SVRS
18	075713	Rubber washer, WFE pump, 1 req.
19	192115Z	O-ring 112, .487 x .103 buna -N 70, 2 req.
20	350013Z	O-ring lid CH/WF 2-436, 1 req.
21	357157	Housing WFE, black
22	350203	Seal plate kit, black w/ gasket (Items 23, 35, 36)
23	357100Z	Black Gasket for Seal plate
24	357151	Lid, see thru WF.
24	357156	Lid, Chemical Resistant
25	357150	Clamp cam & ramp WF, black

Item	Part No.	Description
26	357244	Pot WF assy., black (contains 1, 7 (qty. 2), 19 (qty. 2), 20, 21, 24, 25)
27	350310	Junction Box Cover - Black
28	353250	IntelliPro VS+SVRS Drive Kit - Contains Drive and Control Cover Assy.
29	352501	Motor fan kit, black (contains fan, shroud, hardware).
30	350701	Drive Control Cover assembly kit, black (contains drive lid, screws, spacer caps, items 31, 32 (qty. 3), 33, 34 (qty. 3) 1
30	401100	Drive Control Cover assembly kit, black (contains drive lid, screws, spacer caps, items 31, 32 (qty. 3), 33, 34 (qty. 3) 2
31	401101	Control cover assembly (not sold individually - order assy kit item 30)
32	350107	Screw 10-24 x 3/4 in. PH MS 18-8 s/s (qty. 3)
33	350108	IntelliPro drive gasket
34	350142	Spacer cap (qty. 3)
35	071734S	Seal Kit
36	357158	Seal Plate - black
37	357294S	Motor VFD 3.2KW PMSM replacement, black
<b>NOT SHOWN</b>		
	350122	50 ft. Communication Cable
	347910	Black Volute/Seal plate Replacement Kit (Items 1, 7 (qty. 2), 19 (Qty 2), 20, 21, 22, 23, 24, 25)
	350612	Hardware/gasket assy. kit (contains 3 screws, 3 spacer caps and drive gasket)
	357603	Union Kit (contains 2 complete unions for one pump, not included with pump).
	350101	Seal plate kit without gasket (Items 35 and 36)
	350198	Seal Plate Kit (ozone/salt resistant)

<sup>1</sup> Used on pumps manufactured before 3/20/2013

<sup>2</sup> Used on pumps manufactured after 3/20/2013

<sup>3</sup> Contact factory for IntelliPro VS+SVRS