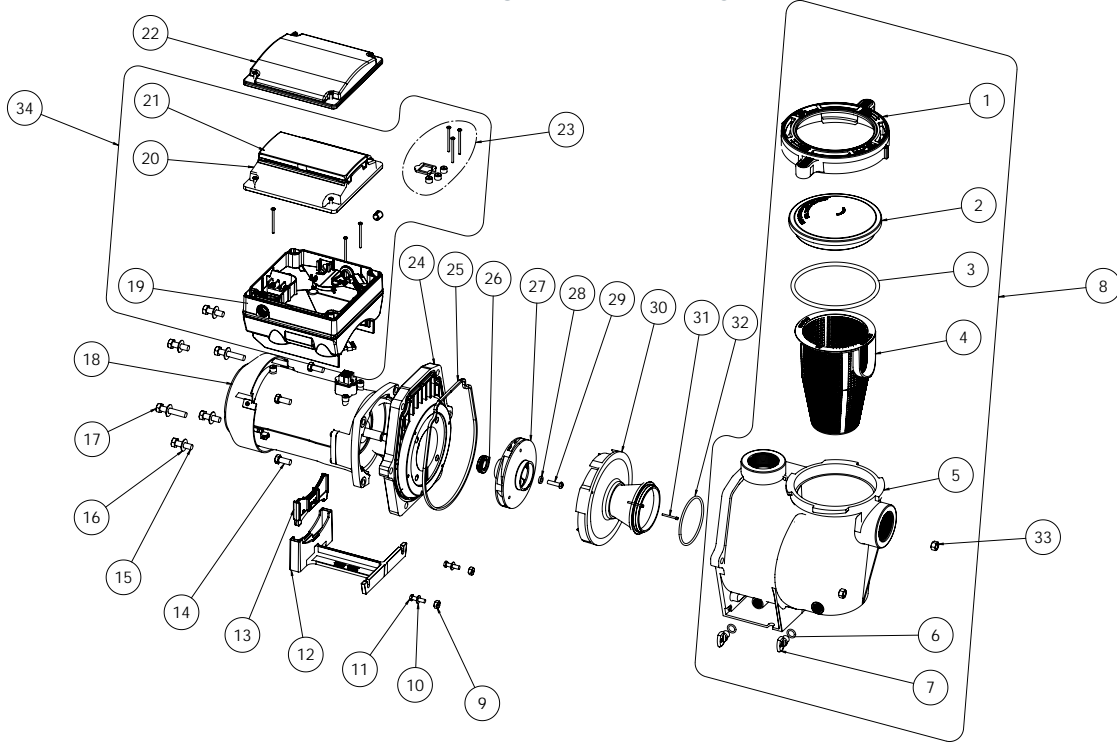


INTELLIFLO® VSF PUMP/INTELLIFLO 2 VST PUMP INTELLIFLO VS PUMP - AFTER 2018

REPLACEMENT PARTS



Item	Part No.	Description
INTELLIFLO PUMP		
1	357199	Clamp, Cam and Ramp
2	357151	See-through Lid
3	350013Z	Lid O-Ring
4	070387Z	Strainer Basket
5	350015	Volute WF
6	192115Z	O-Ring 112 for Drain Plug (Qty 2)
7	071131Z	Drain Plug WF (Qty 2)
8	357243	Volute Kit (Contains items #1-7)
9	071406	Nut 1/4-20 Hex SS (Qty 2)
10	072183	Washer, Flat 1/4" ID x 5/8" OD (Qty 2)
11	071657Z	Screw 1/4-20 x 1" Hex Cap SS (Qty 2)
12	070927	Foot WF
13	070929	Foot Insert WFE Pump Motor Support
14	070429ZZ	Bolt, Hex Head 3/8-16 x 1.25" (Qty 4)
15	072184	Washer, Flat 3/8" ID x 7/8 OD (Qty 6)
16	070430	Bolt, Hex Head 3/8-16 x 1.25" (Qty 4)
17	070431	Bolt, Hex Head 3/8-16 x 2" (Qty 2)
18	350305S	Motor, 3.2 kW 10 Pole
19	356880Z	Drive (VSF model)
19	356878Z	Drive (2VST and VS models)
20	357527Z	Keypad Assembly Kit (Contains item #21)
21	400100	Keypad Cover
22	356904Z	Keypad Relocation Kit (Contains Keypad Relocation cable and Blank Drive Cover)

Item	Part No.	Description
23	355685	Drive Hardware Kit (Contains Drive Screws, Drive Gasket and Screw Caps)
24	074564Z	Seal Plate
25	357100Z	Seal Plate Gasket
26	071734S	Mechanical Seal
27	073131	Impeller
28	075713	Rubber Washer, Impeller Set Screw
29	071652Z	Impeller Set Screw 1/4-20 LH Thread
30	072928	Diffuser
31	071660Z	Diffuser Set Screw 4-40 x 1-1/8 (Qty 2)
32	355227Z	Diffuser O-Ring
33	071403	Nut 3/8" Brass, Nickel Plated (Qty 2)
34	356922Z	Drive Kit (VSF model) (Incl. Items #19-23)
34	356879Z	Drive Kit (2VST and VS models) (Incl. Items #19-23)
NOT SHOWN		
	350122	50 Ft. Communication Cable
	350202	Seal Plate Kit w/Mechanical Seal (Incl. Items #24, 25 and 26)
	354044	Power End - (2VST and VS models)
	357603	Union Kit (Incl. 2 complete unions for 1 pump - Not included with pump)
	350199	Seal Plate Kit (Ozone/Salt resistant)
	352401	Motor Fan Kit

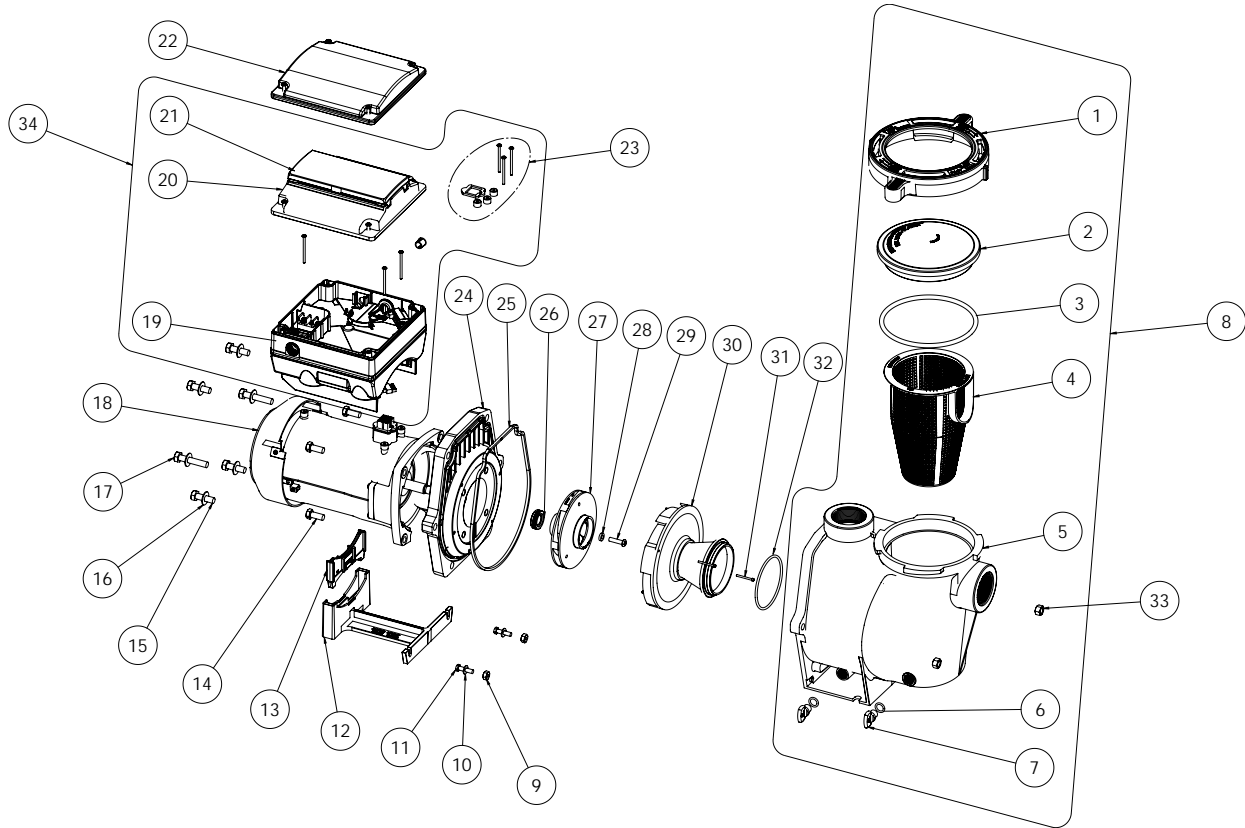
CALIFORNIA PROPOSITION 65 WARNING

⚠ **WARNING:** Cancer and Reproductive Harm.
 ⚠ **AVERTISSEMENT:** Peut Causer le Cancer et des Dommages au Système Reproducteur.
 ⚠ **ADVERTENCIA:** Cáncer y Daño Reproductivo.

www.p65warnings.ca.gov

INTELLIFLO® VS+SVRS PUMP - AFTER JUNE 2016

REPLACEMENT PARTS



Item	Part No.	Description
INTELLIFLO VS+SVRS PUMP		
1	357199	Clamp, Cam and Ramp
2	357151	See-through Lid
3	350013Z	Lid O-Ring
4	070387Z	Strainer Basket
5	350015	Volute WF
6	192115Z	O-Ring 112 for Drain Plug (Qty 2)
7	071131Z	Drain Plug WF (Qty 2)
8	357243	Volute Kit (Contains items #1-7)
9	071406	Nut 1/4-20 Hex SS (Qty 2)
10	072183	Washer, Flat 1/4" ID x 5/8" OD (Qty 2)
11	071657Z	Screw 1/4-20 x 1" Hex Cap SS (Qty 2)
12	070927	Foot WF
13	070929	Foot Insert WFE Pump Motor Support
14	0704292Z	Bolt, Hex Head 3/8-16 x 1.25" (Qty 4)
15	072184	Washer, Flat 3/8" ID x 7/8 OD (Qty 6)
16	070430	Bolt, Hex Head 3/8-16 x 1.25" (Qty 4)
17	070431	Bolt, Hex Head 3/8-16 x 2" (Qty 2)
18	350305S	Motor, 3.2 kW 10 Pole
19	356910Z	Drive
20	357527Z	Keypad Assembly Kit (Contains item #21)
21	400100	Keypad Cover
22	356904Z	Keypad Relocation Kit (Contains Keypad Relocation cable and Blank Drive Cover)

Item	Part No.	Description
23	355685	Drive Hardware Kit (Contains Drive Screws, Drive Gasket and Screw Caps)
24	074564Z	Seal Plate
25	357100Z	Seal Plate Gasket
26	071734S	Mechanical Seal
27	073131	Impeller
28	075713	Rubber Washer, Impeller Set Screw
29	071652Z	Impeller Set Screw 1/4-20 LH Thread
30	072928	Diffuser
31	071660Z	Diffuser Set Screw 4-40 x 1-1/8 (Qty 2)
32	355227Z	Diffuser O-Ring
33	071403	Nut 3/8" Brass, Nickel Plated (Qty 2)
34	356911Z	Drive Kit (Incl. Items #19-23)
NOT SHOWN		
	350122	50 Ft. Communication Cable
	350202	Seal Plate Kit w/Mechanical Seal (Incl. Items #24, 25 and 26)
	357603	Union Kit (Incl. 2 complete unions for 1 pump - Not included with pump)
	350199	Seal Plate Kit (Ozone/Salt resistant)
	352401	Motor Fan Kit

CALIFORNIA PROPOSITION 65 WARNING

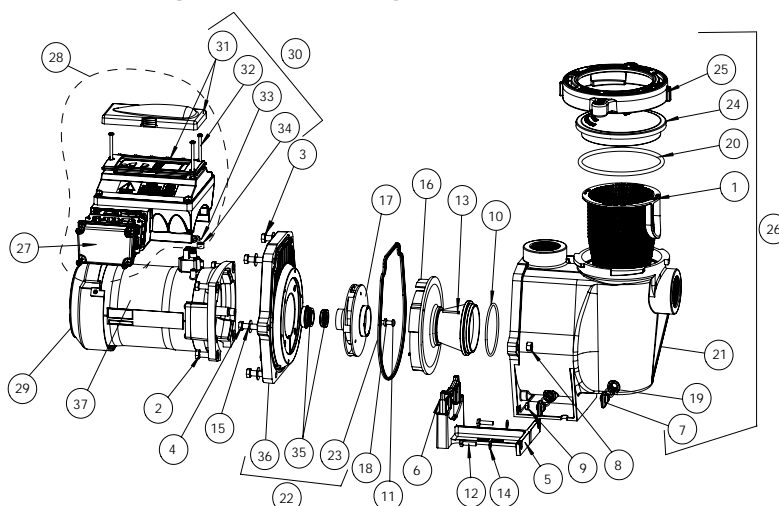
⚠️ WARNING: Cancer and Reproductive Harm.
⚠️ AVERTISSEMENT: Peut Causer le Cancer et des Dommages au Système Reproducteur.
⚠️ ADVERTENCIA: Cáncer y Daño Reproductivo.
www.p65warnings.ca.gov

PA202574

INTELLIFLO® VARIABLE SPEED PUMP- BEFORE 2019 INTELLIFLO VS+SVRS PUMP - BEFORE JUNE 2016

REPLACEMENT PARTS

CALIFORNIA PROPOSITION 65 WARNING
 ⚠ **WARNING:** Cancer and Reproductive Harm.
 ⚠ **AVERTISSEMENT:** Peut Causer le Cancer et des Dommages au Système Reproducteur.
 ⚠ **ADVERTENCIA:** Cáncer y Daño Reproductivo.
 www.p65warnings.ca.gov. PH 201714



Item	Part No.	Description
INTELLIFLO VARIABLE SPEED & INTELLIFLO VS+SVRS		
1	070387Z	Basket WF
2	070429ZZ	Bolt hex HD, 2-56 x .875 S/S, 4 req.
3	070430	Bolt, 3/8-16 x 1-1/4 hex cap 18-8 S/S, 4 req.
4	070431	Bolt, 3/8-16 x 2 hex cap 18-8 S/S, 2 req.
5	070927	Foot WF, pump motor support, almond
6	070929	Foot insert WF pump, almond
7	071131Z	Plug drain WFE, almond, 2 req.
8	071403	Nut, 3/8-16 brass nickel plated, 2 req.
9	071406	Nut, 1/4-20 hex S/S, 2 req.
10	355227Z	O-ring #238, 3.484 x .139, buna N 70
11	071652Z	Screw, 1/4, 20 x 1 LH phillips pan MS 18-8 S/S, 1 req.
12	071657Z	Screw, 1/4-20 x 1 in. hex cap 18-8 S/S, 2 req.
13	071660Z	Screw set, 4-40 x 1-1/8 WFE sckt cap 18-8 S/S, 2 req.
14	072183	Washer, flat 1/4 x 5/8 20GA thick 18-8 S/S, 2 req.
15	072184	Washer, 3/8 ID x 7/8 OD .05 thick 18-8 S/S, 6 req.
16	072928	Diffuser assembly, black
17	073131	Impeller, IntelliFlo
18	075713	Rubber washer, WFE pump, 1 req.
19	192115Z	O-ring 112, .487 x .103 buna -N 70, 2 req.
20	350013Z	O-ring lid CH/WF 2-436, 1 req.
21	350015	Housing WFE, almond
22	350202	Seal plate kit, almond w/ gasket (Items 23, 35, 36)
23	357100Z	Black Gasket for Seal plate
23	357102Z	Almond Gasket for Seal plate
24	357151	Lid, see thru WF.
24	357156	Lid, Chemical Resistant
25	357199	Clamp cam & ramp WF, almond
26	357243	Pot WF assy., almond (contains 1, 7 (qty. 2), 19 (qty. 2), 20, 21, 24, 25

Item	Part No.	Description
27	350621	Junction Box Cover - Almond
28	356879Z	IntelliFlo Variable Speed Drive Kit - Contains Drive and Control Cover Assy. (VS only)
28	351021	IntelliFlo VS+SVRS Drive Kit ¹ - Contains Drive and Control Cover Assy. (SVRS drive)
29	352401	Motor fan kit, almond (contains fan, shroud, hardware).
30	350601	Drive Control Cover assembly kit ² , almond (contains drive lid, screws, spacer caps, items 31, 32 (qty. 3), 33, 34 (qty. 3)
30	400100	Drive Control Cover assembly kit ³ , almond (contains drive lid, screws, spacer caps, items 31, 32, (qty.3), 33, 34 (qty. 3)
31	350082	Control cover assembly (not sold individually - order assy. kit item #30)
32	350107	Screw 10-24 x 3 3/4 in. PH MS 18-8 s/s (qty. 3)
33	350108	IntelliFlo drive gasket
34	350142	Spacer cap (qty. 3)
35	071734S	Seal Kit
36	074564Z	Seal Plate - Almond
37	350105S	Motor VFD 3.2KW PMSM replacement, almond
NOT SHOWN		
	070118	Power end IntelliFlo Variable Speed (Contains items 2, 10, 11, 13, 15, 16, 17, 18, 19, 22, 28)
	350122	50 ft. Communication Cable
	357149	Almond Volute/Seal plate Replacement Kit (Items 1, 7 (Qty 2), 19 (Qty 2), 20, 21, 22, 23, 24, 25)
	350612	Hardware/gasket assy. kit (contains 3 screws, 3 spacer caps and drive gasket)
	357603	Union Kit (contains 2 complete unions for one pump, not included with pump).
	350199	Seal Plate Kit (ozone/salt resistant)

¹ Contact factory for IntelliFlo VS+SVRS2

² Used on pumps manufactured before 12/23/13

³ Used on pumps manufactured after 12/23/13 to present