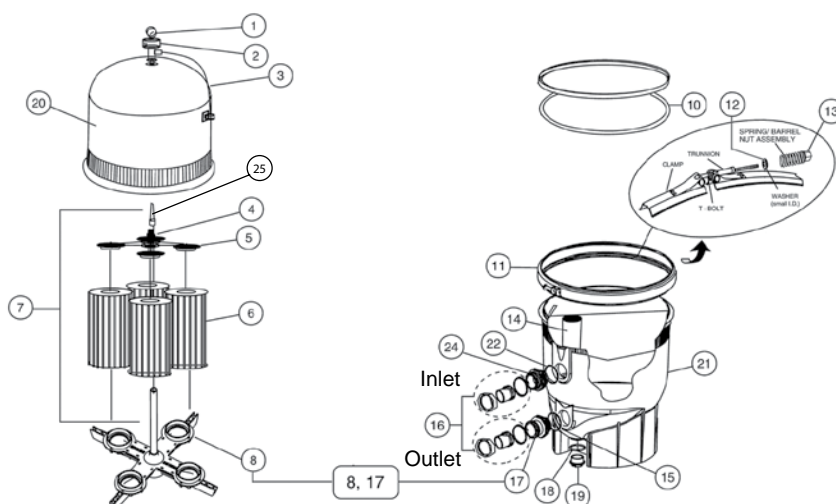


CLEAN & CLEAR® PLUS FILTERS

REPLACEMENT PARTS FOR FIBERGLASS REINFORCED POLYPROPYLENE TANK



Item	Part No.	Description
CLEAN & CLEAR PLUS FILTERS		
1	190058Z	Gauge, pressure, 1/4 in.
2	98209800	High Flow manual air relief valve, HFMARV
4	178616	Spring, compression ²
5	170026	Manifold, top assembly, 240 sq. ft. ²
5	170027	Manifold, top assembly, 320, 420 & 520 sq. ft. ²
6	R173572	Cartridge element, 240 sq. ft., 4 req.
6	R173573	Cartridge element, 320 sq. ft., 4 req.
6	R173576	Cartridge, 420 sq. ft., 4 req. ²
6	R173578	Cartridge, 520 sq. ft., 4 req. ²
7	170030	Air bleed tube assembly, 240 sq. ft.
7	55028500	Air bleed tube assembly, 360, 420 sq. ft. ¹
7	170029	Air bleed tube assembly, 320 sq. ft. ²
7	170028	Air bleed tube assembly, 420 sq. ft. ²
7	55028400	Air bleed tube assembly, 500 sq. ft. ¹
7	178583	Air bleed tube assembly, 520 sq. ft. ²
8	170035	Manifold, bottom/pipe assembly, outlet ³
8	170040	Manifold, bottom ⁴
10	39010200Z	O-ring, clamp
11	190003	Clamp kit, tension control
12	53006300Z	Washer, .325 i.d. for filter clamp
12	195610	Washer, sm. i.d.
13	53108900Z	Spring/barrel nut assembly
14	190039	Baffle, bulkhead assembly ²
15	86006900	O-ring, bulkhead, lower
16	98960311	Bulkhead union, set ¹
16	271096	Bulkhead adapter kit, 2 in. O.D. white
16	270004	Bulkhead adapter kit, 2 in. O.D. black

Item	Part No.	Description
16	270100	Bulkhead union kit, 2 in. I.D. Black
16	274426	Bulkhead adapter kit, 2-1/2 in. x 2 in. I.D. White
17	170035	Pipe assembly, outlet/manifold, bottom (includes bulkhead 178575 and O-rings 86006900 & 3544571) ²
18	86300500	Drain cap gasket ¹
18	51005000	O-ring for drain plug ²
18	191474	O-ring for drain plug ⁸
19	51516200	Drain cap ¹
19	86202000	Plug, 1-1/2 in. drain with O-ring ²
19	190030Z	Cap plug ⁸
20	170023	Tank, lid assembly, 240 sq. ft.
20	170024	Tank, lid assembly, 320 sq. ft.
20	178581	Tank, lid assembly, 420 sq. ft. ²
20	178550	Tank, lid assembly, 500 sq. ft. ¹
20	178582	Tank, lid assembly, 520 sq. ft. ²
21	178578	Tank, bottom assembly ²
22	192320	O-ring, bulkhead, upper ²
22	86006900	O-ring, bulkhead, upper & lower ^{1,7}
23	195339	SS back-up ring ⁵
24	194801	Bulkhead, 2-3/8, 8 buttress thread ²
25	190106Z	Air Screen
NOT SHOWN		
	192019	Drain plug wrench
	178708	Parts Bag - includes warranty card, instructions, and items 1, 2, and 16.

¹ Used on filters manufactured before 11/98.

² Used on filters manufactured after 11/98.

³ Used on filters manufactured between 11/98 thru 12/00.

⁴ Used on filters manufactured after 12/00.

⁵ Used on filters manufactured after 3/03.

⁶ Used on filters manufactured between 3/03, thru 7/1/03.

⁷ Used on filters manufactured after 10/04.

⁸ Used on filters manufactured after 5/21/05.