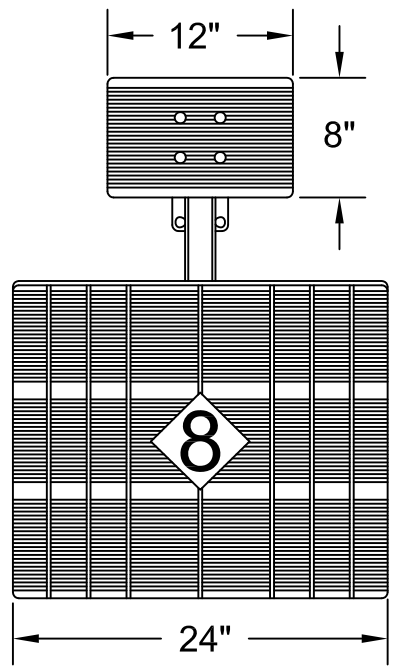
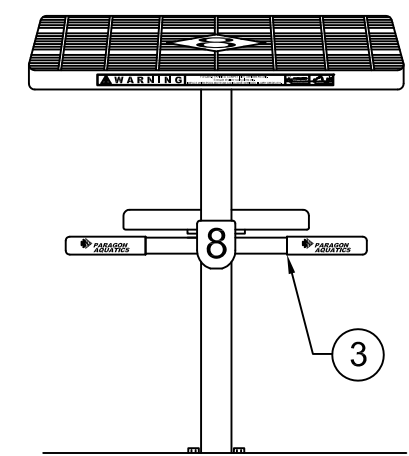
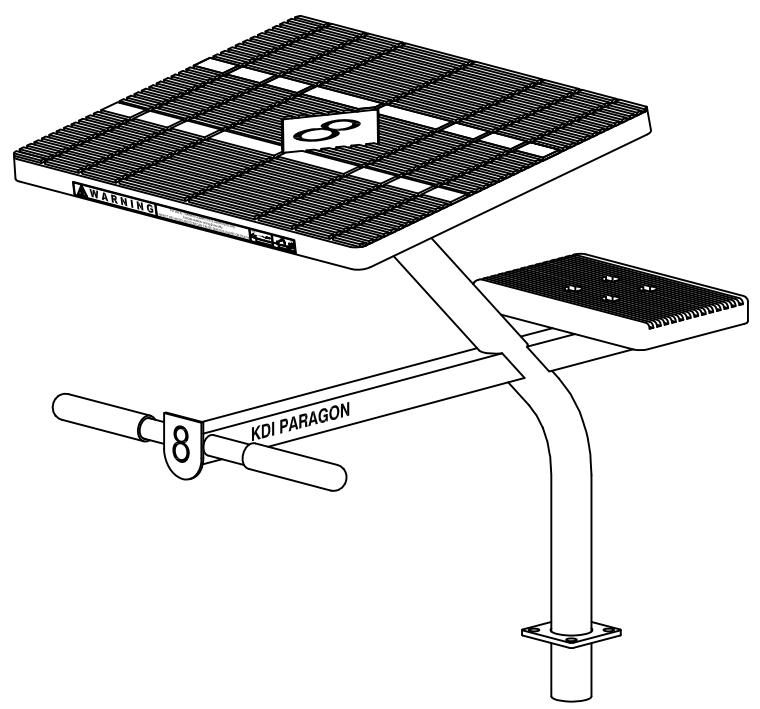


# Standard Paraflyte Starting Platform

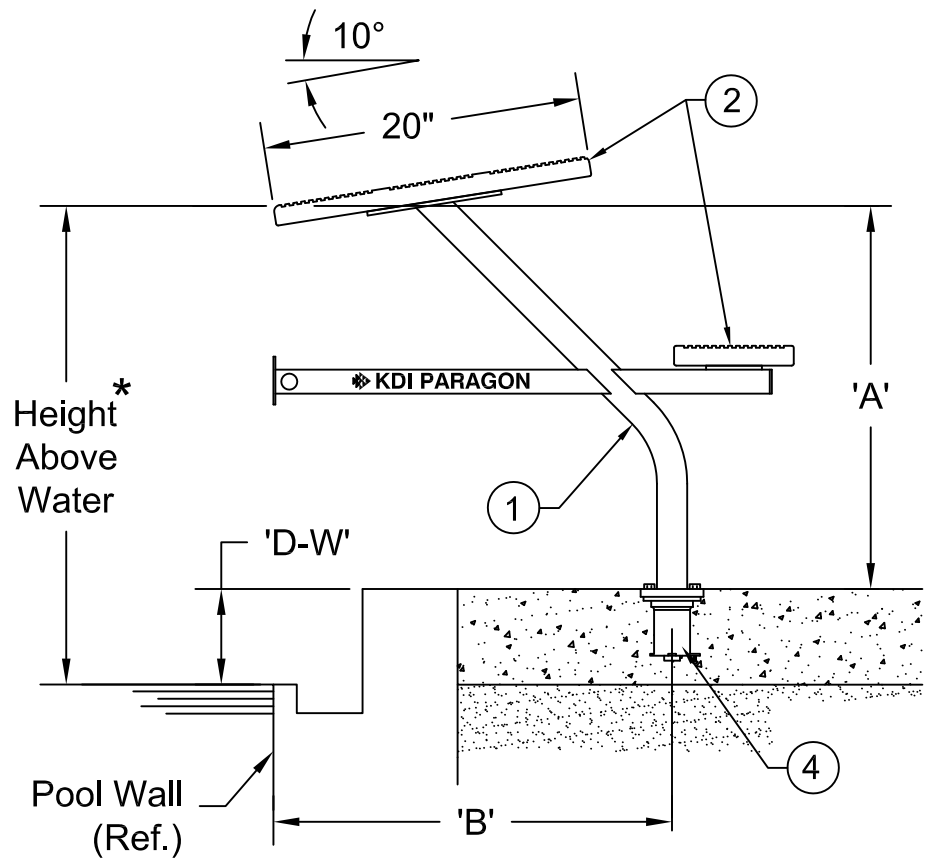


PLAN VIEW



Water Line  
(Ref.)

FRONT VIEW



SIDE VIEW

The data represents the latest knowledge available to us at time of presentation. However, Paragon Aquatics and others involved in gathering and presenting this drawing assume no liability for its use.

© 2009 Paragon Aquatics



**PARAGON  
AQUATICS**  
Pentair Water  
Commercial Pool & Aquatics

1351 Route 55  
LaGrangeville, New York  
12540  
Phone: 845-463-7200  
Fax: 845-463-7291  
www.paragonaquatics.com

Drawn by: SF	Date: 6/27/08	Approved by: RV	Date: 6/27/08
Sheet Title: Standard Paraflyte Starting Platform			
Drawing Number: SS-SP10.51	Revision Letter: D	Sheet: 1 of 2	

# Standard Paraflyte Starting Platform

## Specifications

- ① The Standard Paraflyte starting platform shall have an elevated platform top supported by a sloping stainless steel pedestal. The platform pedestal shall be manufactured of 1.90" x .145" wall thickness Type 304 stainless steel polished to a 320 grit finish. The backstroke bar and step supports shall be made of 1.50" square x .065" wall thickness Type 304 stainless steel polished to a 320 grit finish. The backstroke bar and step supports shall be fully welded to the pedestal.
- ② The platform top (24" wide x 20" deep) and intermediate step (8" x 12") shall be constructed of UV inhibited high density polypropylene. They shall have a dual non-skid cross-grooved with a sand textured finish surface. The top shall be permanently positioned at a 10° tilt towards the pool.
- ③ A backstroke bar with rubber hand grips shall be located in a range consistent with all ruling bodies. The backstroke bar shall be 1.00" O.D. x .065" wall thickness Type 304 stainless steel.
- ④ The platform shall be anchored to the Paraflyte bronze anchor socket, ID #22201, with four 3/8"-16 hex head bolts.

## General

The stainless steel frame shall be electro-chemically passivated on all worked areas for maximum corrosion resistance. All hardware shall be 18-8 stainless steel. Custom designs and modifications are available upon request.

## Selector Chart

Identification #				
'A'	'B'	Complete w/ Anchor	Less Anchor	Pedestal Only
30"	26"	22101	22150	22760
29 1/2"	26"	22102	22151	22761
29"	26"	22103	22152	22762
28 1/2"	26"	22104	22153	22763
28"	26"	22105	22154	22764
27 1/2"	26"	22106	22155	22765
27"	26"	22107	22156	22766
26 1/2"	26"	22108	22157	22767
26"	26"	22109	22158	22768
25 1/2"	26"	22110	22159	22769
25"	26"	22111	22160	22770
24 1/2"	25"	22112	22161	22771
24"	25"	22113	22162	22772
23 1/2"	24"	22114	22163	22773

Identification #				
'A'	'B'	Complete w/ Anchor	Less Anchor	Pedestal Only
23"	24"	22115	22164	22774
22 1/2"	23"	22116	22165	22775
22"	23"	22117	22166	22776
21 1/2"	23"	22118	22167	22777
21"	23"	22119	22168	22778
20 1/2"	23"	22120	22169	22779
20"	23"	22121	22170	22780
19 1/2"	22"	22122	22171	22781
19"	22"	22123	22172	22782
18 1/2"	22"	22124	22173	22783
18"	21"	22125	22174	22784
17 1/2"	21"	22126	22175	22785
17"	21"	22127	22176	22786

## Sizing Information (See drawing on reverse side)

- 1- "A" dimension shall be the vertical dimension from the top of the anchor socket at deck level to the top front edge of the platform top.
  - 2- "B" dimension shall be the horizontal dimension from the pool wall to the center of the anchor socket.
  - 3- "D-W" dimension shall be the vertical dimension from water level to the top of the anchor socket at deck level.
- ★ See specification sheet SS-SP10.50 for important information regarding platform sizing requirements and how to order.

## Accessories

ID Number	Description
22201	Paraflyte anchor socket
23990C	Color upgrade (per unit) for sand finish top
23960	Safety cover for platforms with 20" x 24" tops



**WARNING :** Starting platforms are to be used only by trained competitive swimmers. Only shallow racing dives should be executed. Impact with the pool bottom can cause serious injury. Please refer to applicable codes and regulations for your specific installation.

The data represents the latest knowledge available to us at time of presentation. However, Paragon Aquatics and others involved in gathering and presenting this drawing assume no liability for its use.



**PARAGON AQUATICS**  
Pentair Water  
Commercial Pool & Aquatics

1351 Route 55  
LaGrangeville, New York  
12540  
Phone: 845-463-7200  
Fax: 845-463-7291  
www.paragonaquatics.com

Drawn by: SF	Date: 6/27/08	Approved by: RV	Date: 6/27/08
Sheet Title: Standard Paraflyte Starting Platform			
Drawing Number: SS-SP10.51	Revision Letter: D	Sheet: 2 of 2	