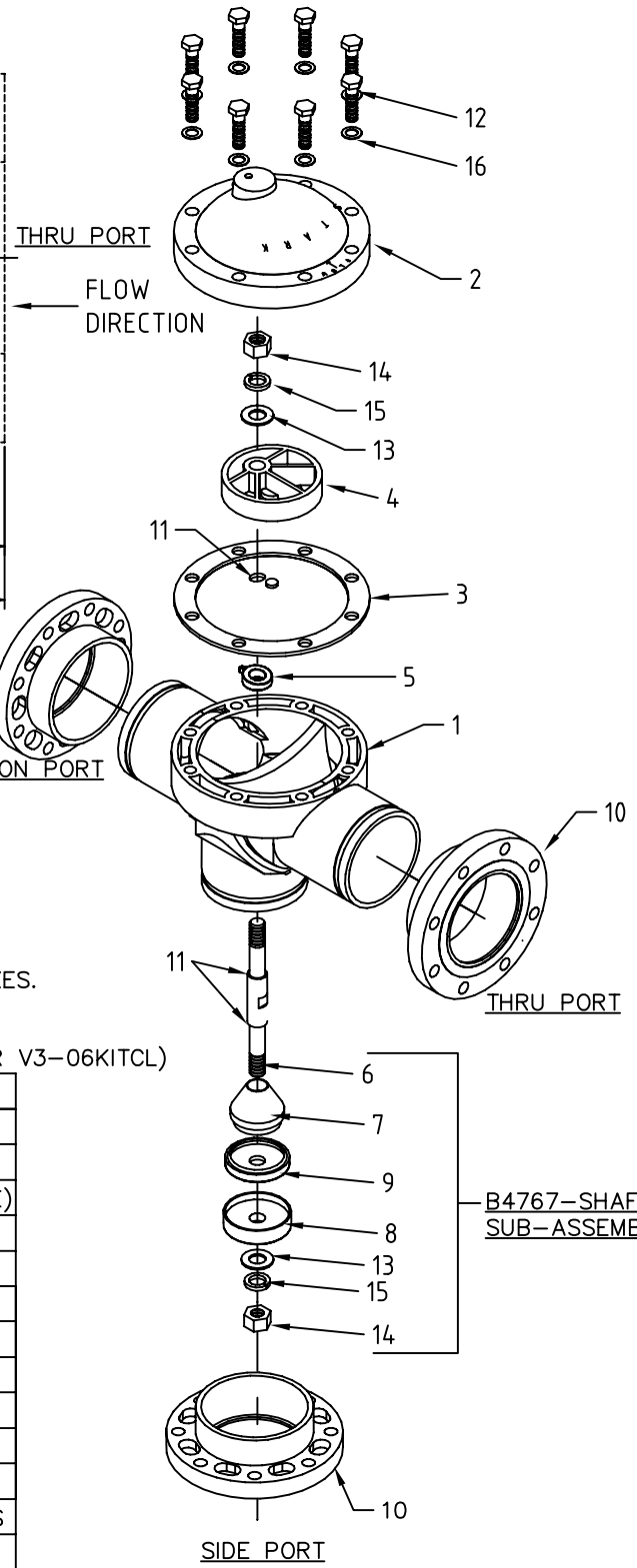
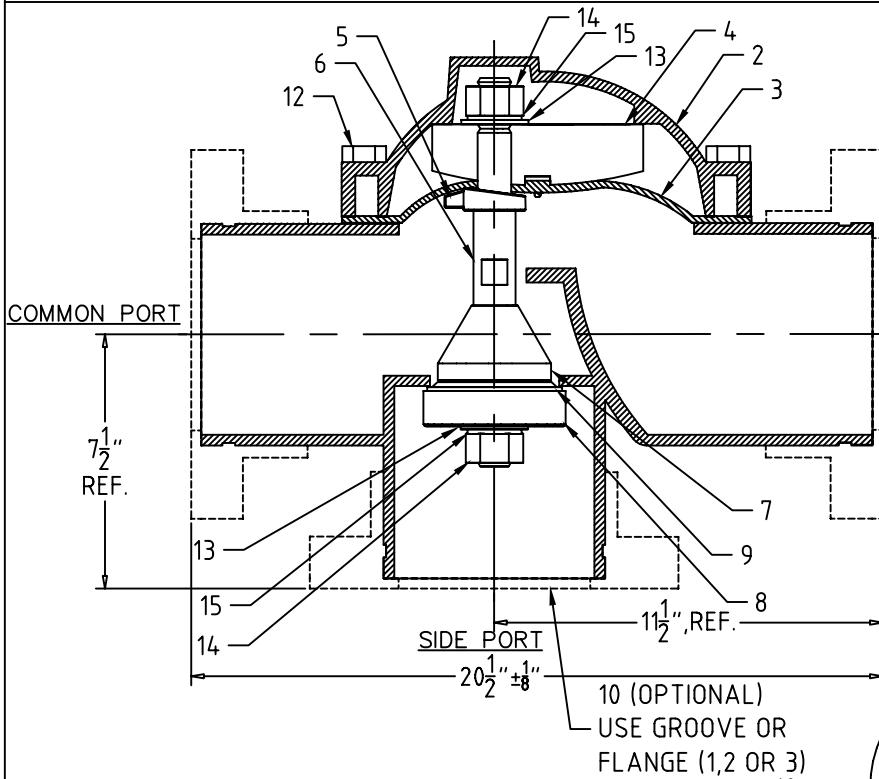


STARK 6" 3-WAY (CLEAR) VALVE ASSEMBLY



FLANGE(REF. #10) SCHEDULE (X = FLANGE)			
Valve Number	Common Port	Side Port	Thru Port
V3-06CL	X	X	X
V3-06ACL			
V3-06BCL			X

NOTE: 3-WAY DIAPHRAGM VALVE IS ALSO AVAILABLE IN 4" (V3-04) AND 8" (V3-08), CLEAR IS NOT AVAILABLE IN THESE SIZES. IN THESE SIZES.

*-PARTS INCLUDED IN DIAPHRAGM VALVE REBUILD KIT (PART NUMBER V3-06KITCL)

Ref	Qty.	Paragon P/N	Name or Description
1	1	-----	SEE DRAWING NUMBER PD-2002
2	1	B4762CL	6" COVER, TAPPED, DIAPHRAGM VALVE
3	1	*-B4760A	DIAPHRAGM, 6" VALVE, 3 WAY (WITH HOLE)
4	1	B4878	6" PLATE, DIAPHRAGM VALVE
5	1	*-B4879A	WASHER, 6" DIAPHRAGM (GRAY)
6	1	B4761	SHAFT, 6" DIAPHRAGM VALVE
7	1	B4880	THROTTLING CONE, 6" DIAPHRAGM
8	1	B4879B	SEAL RETAINER, 6" DIAPHRAGM VALVE
9	1	*-B4881	SEAL, SIDEPORT, 6" DIAPHRAGM
10	X	B4815	6" FLANGE, SOLID, DIAPHRAGM VALVE
11	A/R	N/A	SILICONE SEALANT (100% CLEAR SILICONE)
12	8	94774	BOLT, 1/2-13x2-3/4" HEX HD., T316 S/S
13	2	94902	WASHER, 2"x1.06"x.120" T316 S/S
14	2	94903	HEX NUT, 1"-8 T316 S/S
15	2	94904	LOCK WASHER, 1" SPLIT, T316 S/S
16	8	94776	WASHER, .515" I.D. x 875"O.D., T316 S/S
17	1	B4642	1/4" MPT x QUICK EL (NOT SHOWN)

B4767-SHAFT SUB-ASSEMBLY

NOTE: FOR GREY 6" 3-WAY VALVES MANUFACTURED PRIOR TO SEPTEMBER OF 2002, PLEASE REFER TO DRAWING NUMBER AI-V3-06.

This data represents the latest knowledge available to us at time of presentation. However Paragon Aquatics and others involved in gathering and presenting this drawing assume no liability for its use.



PARAGON AQUATICS
Pentair Commercial Pool & Aquatics
Div. Pentair Water Pool & Spa, Inc.

1351 Route 55
LaGrangeville, New York
12540
Phone: 845-463-7200
Fax: 845-463-7291
www.paragonaquatics.com

Drawn by:	Date:	Title:	STARK	
JP	7/25/08	6" 3-WAY CLEAR VALVE ASSEMBLY DRAWING		
Approved by:	Date:	Drawing Number:	Rev Ltr:	Sheet:
		AI-V3-06CL	B	1 of 1