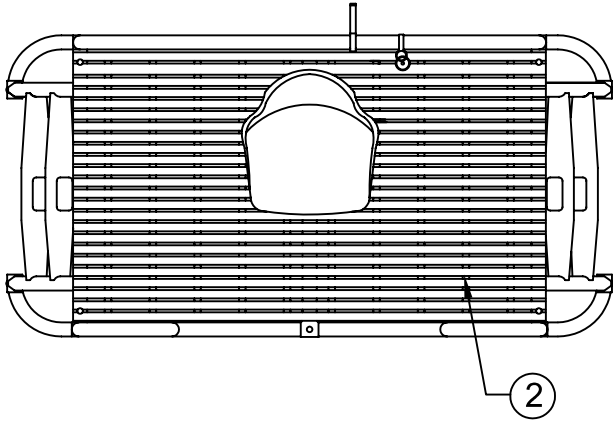
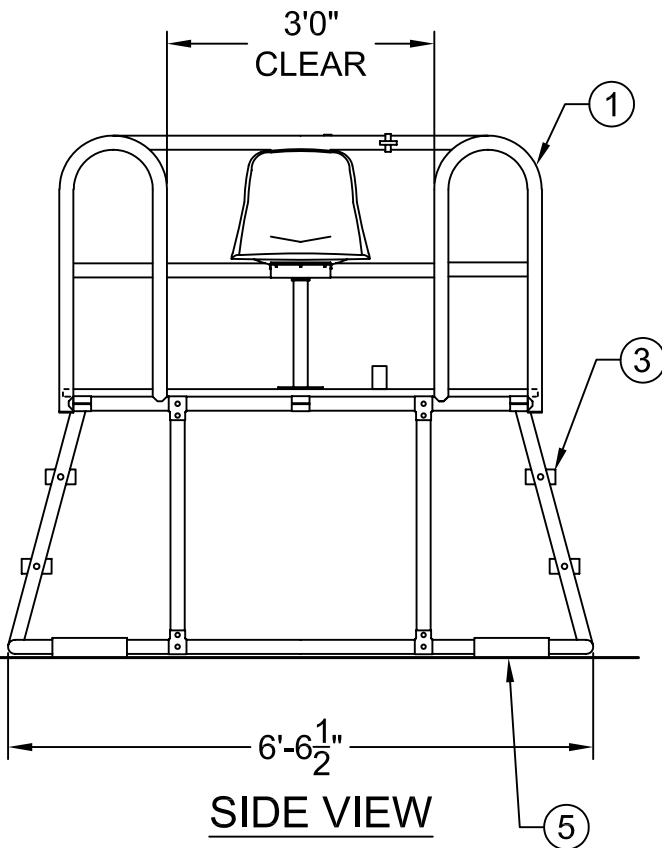
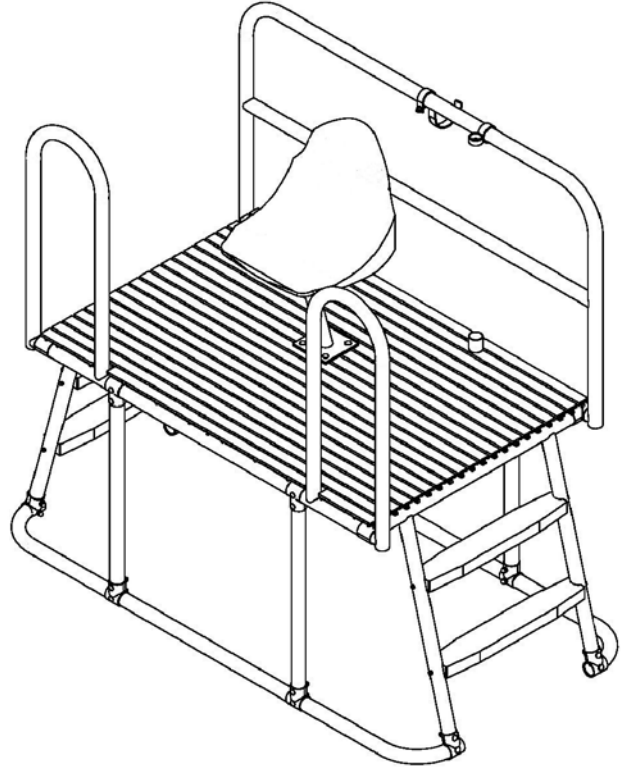


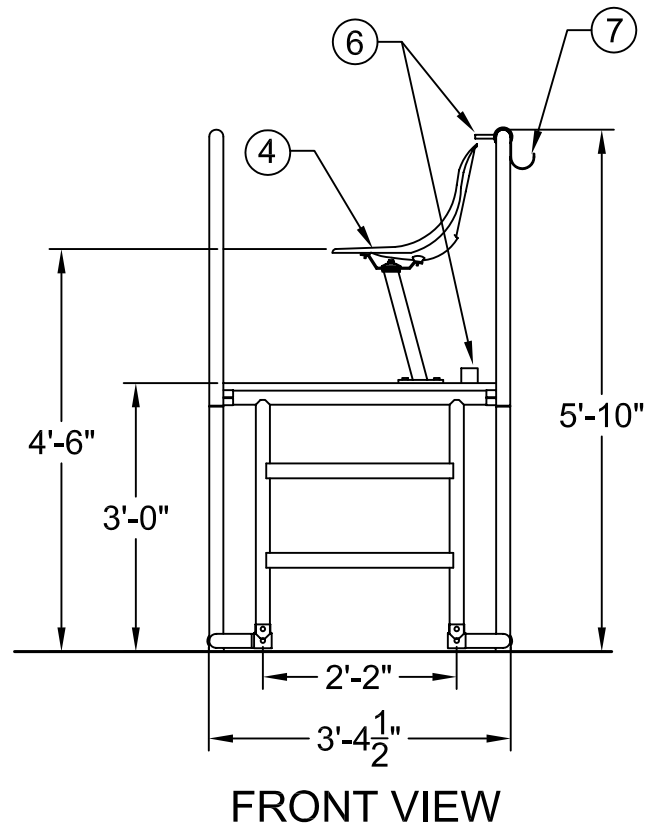
Lookout Platform Lifeguard Chair



PLAN VIEW



SIDE VIEW



FRONT VIEW

Supersedes specification sheet dated 4/06

The data represents the latest knowledge available to us at time of presentation. However, Paragon Aquatics and others involved in gathering and presenting this drawing assume no liability for its use.



**PARAGON
AQUATICS**

Pentair Water
Commercial Pool & Aquatics

1351 Route 55
LaGrangeville, New York
12540
Phone: 845-463-7200
Fax: 845-463-7291
www.paragonaquatics.com

Drawn by: SF Date: 6/27/08 Approved by: JMM Date: 6/27/08

Sheet Title: Lookout Platform Lifeguard Chair

Drawing Number: SS-LG20.32 Revision Letter: C Sheet: 1 of 2

Lookout Platform Lifeguard Chair

Part Number: **20370**

Specifications

- ① The lifeguard chair superstructure shall be manufactured of ASTM A-554 certified 1.90" x .065" wall thickness Type 304 stainless steel polished to a 320 grit finish.
- ② The main platform decking shall be a resin coated fiberglass reinforced grating in a "T" bar construction and is additionally reinforced with a center stainless steel support member. The top surface shall have a white, non-skid surface and shall be 36" above the pool deck.. The overall platform area shall measure 60" x 36" and is accessible on either side by (2) 26" sloping ABS plastic steps.
- ③ The side steps shall be made of white, UV stabilized, ABS plastic with an integral, non-skid surface. The steps shall fit a 26" post spacing (center to center).
- ④ The fiberglass seat shall be mounted to a sloped, stainless steel support pedestal. The support pedestal shall allow the seat to be rotated a full 360°. The seat shall be located at a height of 4'-6" (54") above the pool deck.
- ⑤ The base of the superstructure shall have rubber sleeves installed on them for additional support.
- ⑥ The lifeguard chair shall be provided with an umbrella ring guide, attached to the superstructure, and umbrella base holder, attached to the fiberglass decking, as a means to attach an umbrella to the lifeguard chair. Appropriate high wind warning labels shall be provided on the platform superstructure.
- ⑦ The lifeguard chair shall be provided with a rescue tube/life ring holder which shall attach to the superstructure. The holder shall be removeable to locate it on either the right or left side of the chair.

General

The stainless steel frame shall be electro-chemically passivated on all worked areas for maximum corrosion resistance. All bends shall be smooth and wrinkle free. All hardware shall be 18-8 stainless steel. Custom designs and modifications are available upon request.

Accessories

ID Number	Description
20701	Lifeguard Chair Seat (Turquoise)
20702	Seat Support and Swivel Assembly
20712	Umbrella Ring Guide
20717	Umbrella/Life Ring Holder
44109	26" Sloping ABS Step with Hardware
93952	Lookout Platform Hardware Bag

The data represents the latest knowledge available to us at time of presentation. However, Paragon Aquatics and others involved in gathering and presenting this drawing assume no liability for its use.

© 2008 Paragon Aquatics



**PARAGON
AQUATICS**
Pentair Water
Commercial Pool & Aquatics

1351 Route 55
LaGrangeville, New York
12540
Phone: 845-463-7200
Fax: 845-463-7291
www.paragonaquatics.com

Drawn by: SF	Date: 6/27/08	Approved by: JMM	Date: 6/27/08
Sheet Title:	Lookout Platform Lifeguard Chair		
Drawing Number: SS-LG20.32	Revision Letter: C	Sheet: 2 of 2	