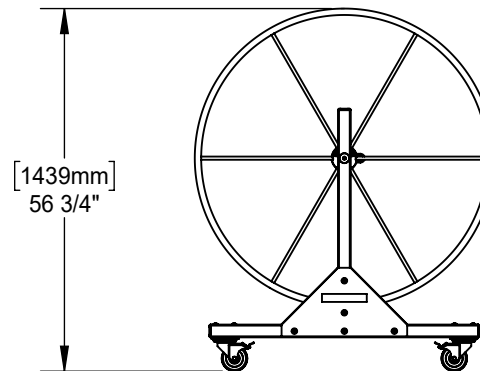
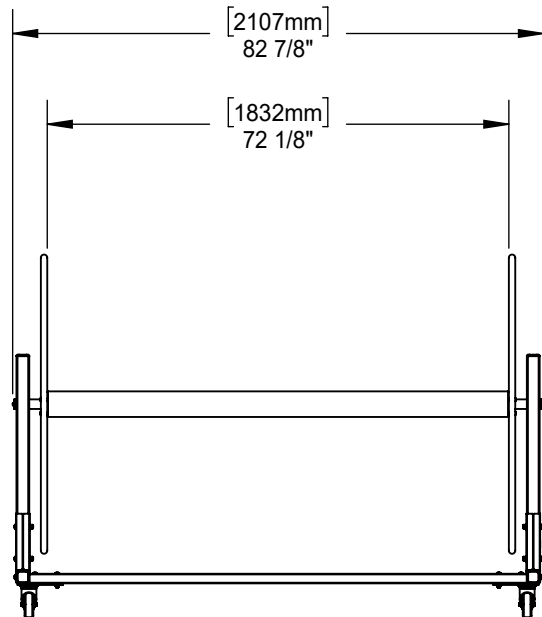
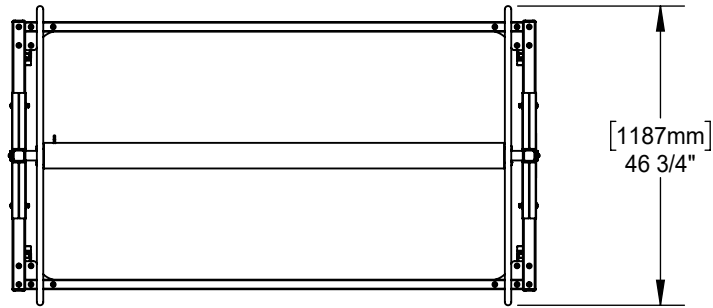


# SPECIFICATIONS

Cable length	CAPACITY	
	(4")10cm segments	(6")15cm segments
60'	11	5
75'	8	4
25m	8	4
50m	4	2



- 100% 304 STAINLESS STEEL
- SPARKLE SILVER & BLUE POWDER COATED PAINT
- ALL CASTERS ARE STAINLESS STEEL WITH BRAKES
- WEIGHT: 190 LBS APPROX.

# DE PIECE / PRODUCT #

60.1325

LARGE CAPACITY STORAGE REEL

PROJECTION



FORMAT

A

UNITES / UNITS

IN [mm]

DATE

2018-10-15

LES INDUSTRIES

**NORDESCO**  
INDUSTRIES