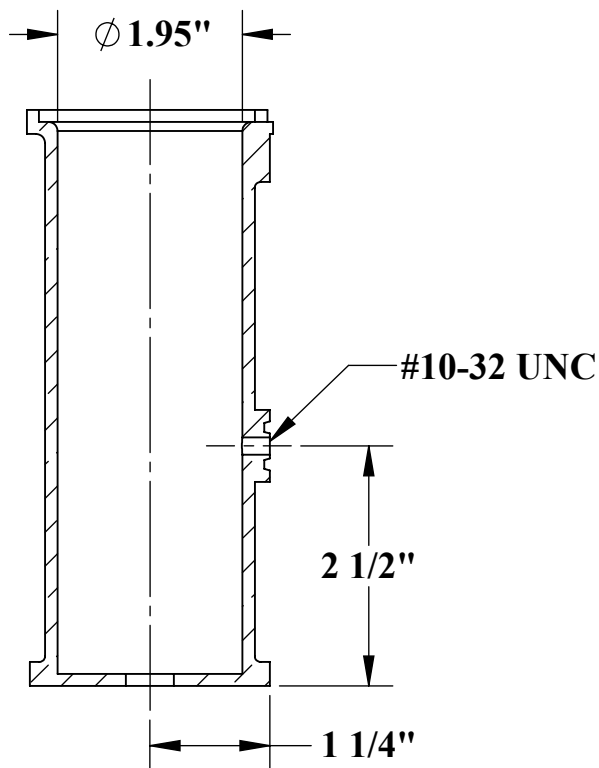
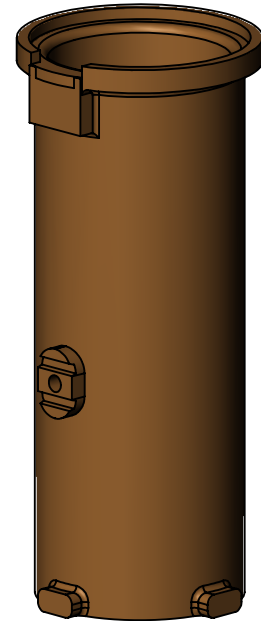
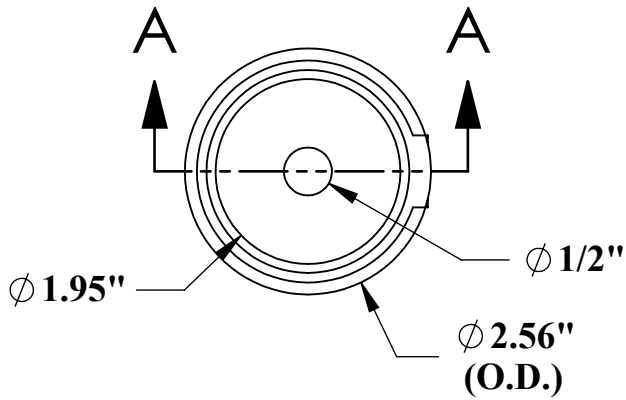
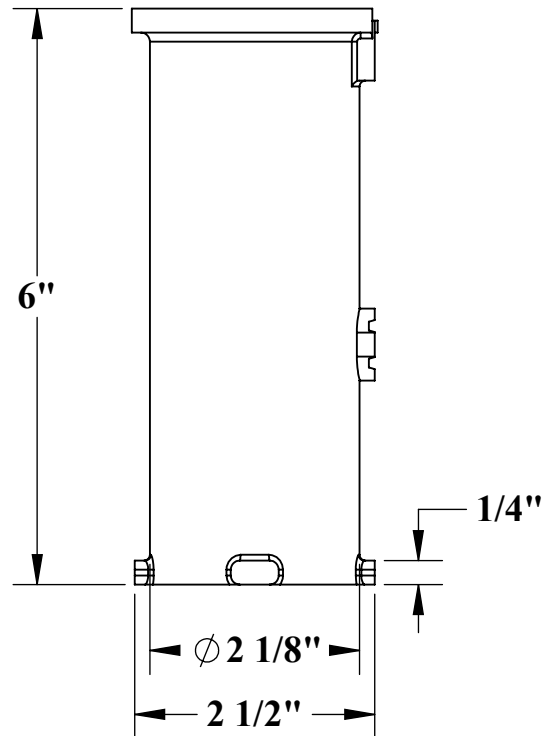


# SCOUT ANCHOR SPEC



SECTION A-A



9889 GARRYMORE LANE  
 MISSOULA, MT 59808  
 (406) 549-0769  
 FAX (406) 549-2602

NOTE:  
 \*SPECIFICATIONS ARE SUBJECT TO CHANGE WITHOUT NOTICE

PRODUCT:		SCOUT ANCHOR	
PART #:		F-808SA	
SCALE:	1:2	DATE:	6/13/2017
DRAWN BY:	KR	REVISION:	A