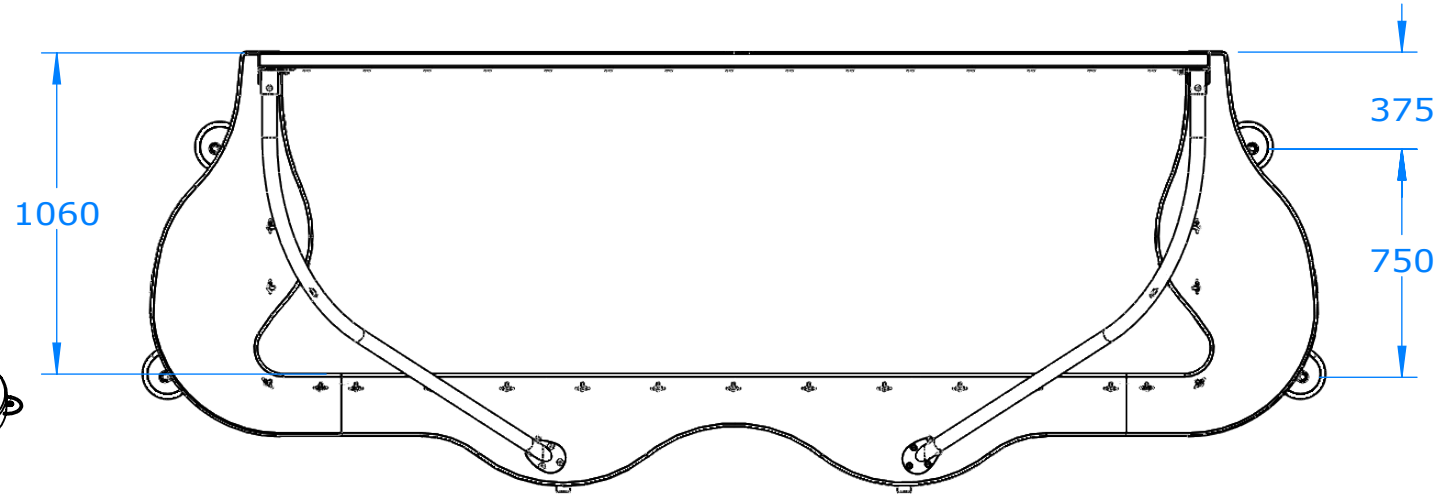
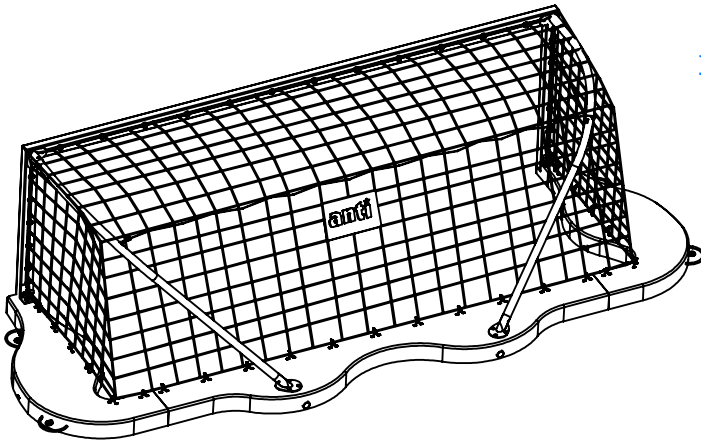
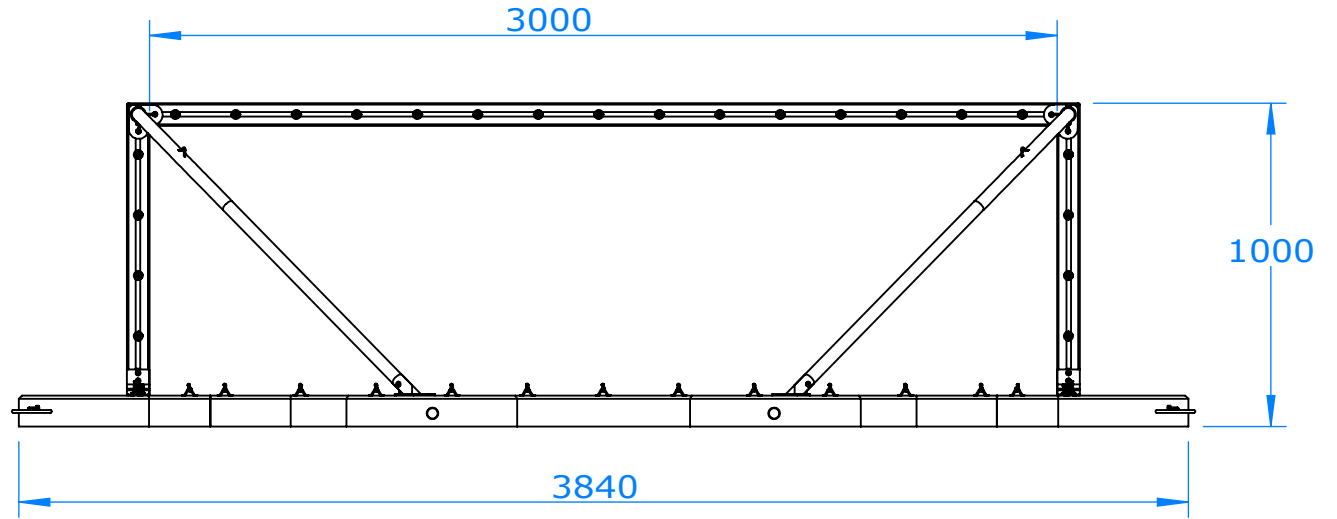
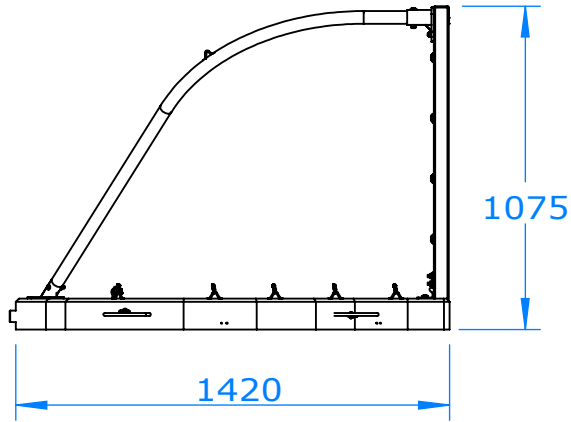


Anti Pro Goal Assembly Instructions

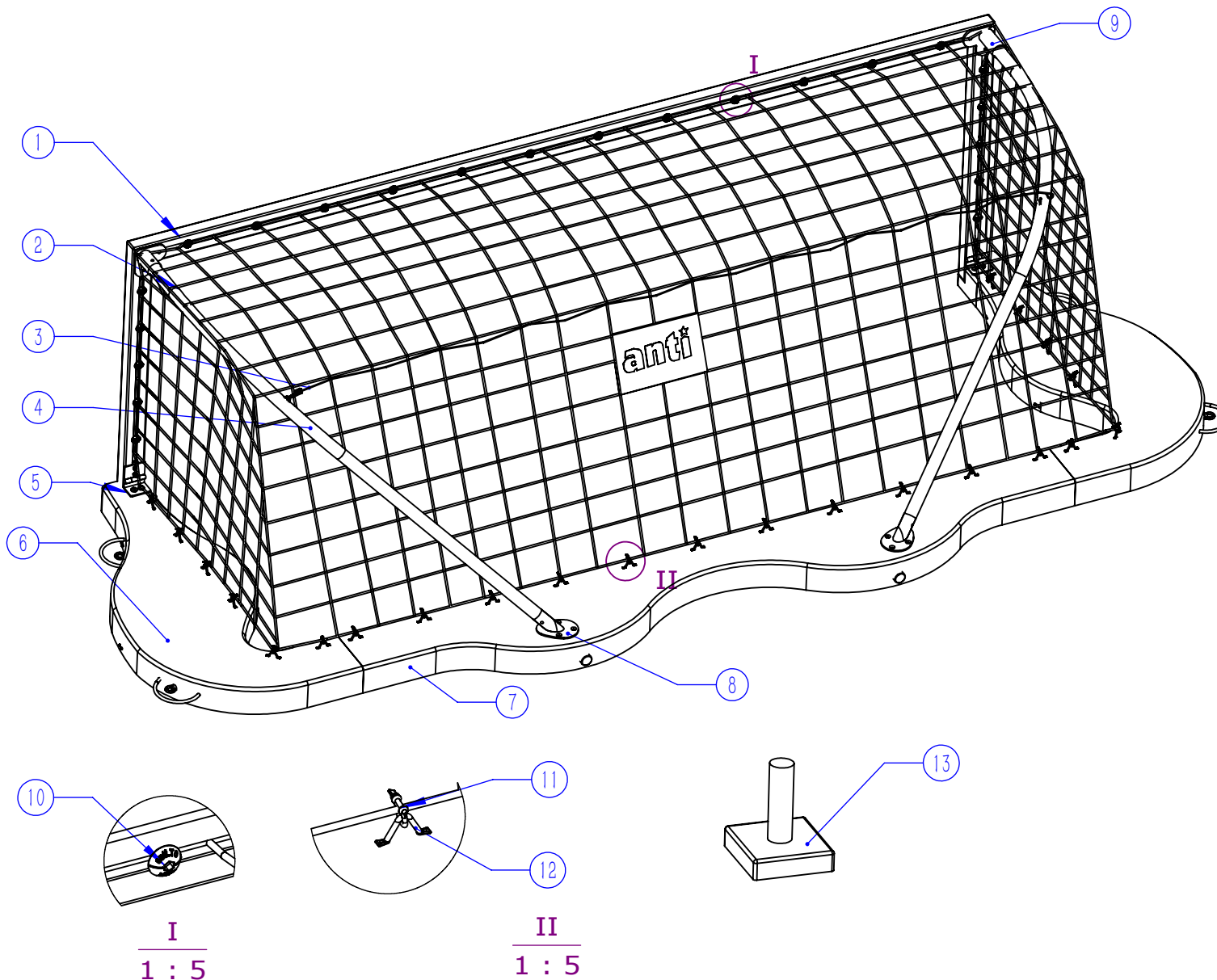


anti™ PROPRIETARY AND CONFIDENTIAL
 The information contained in this drawing is the sole property of ANTI WAVE, any reproduction in part or as a whole without the written permission of ANTI WAVE is prohibited.
 ©ANTI WAVE 2015

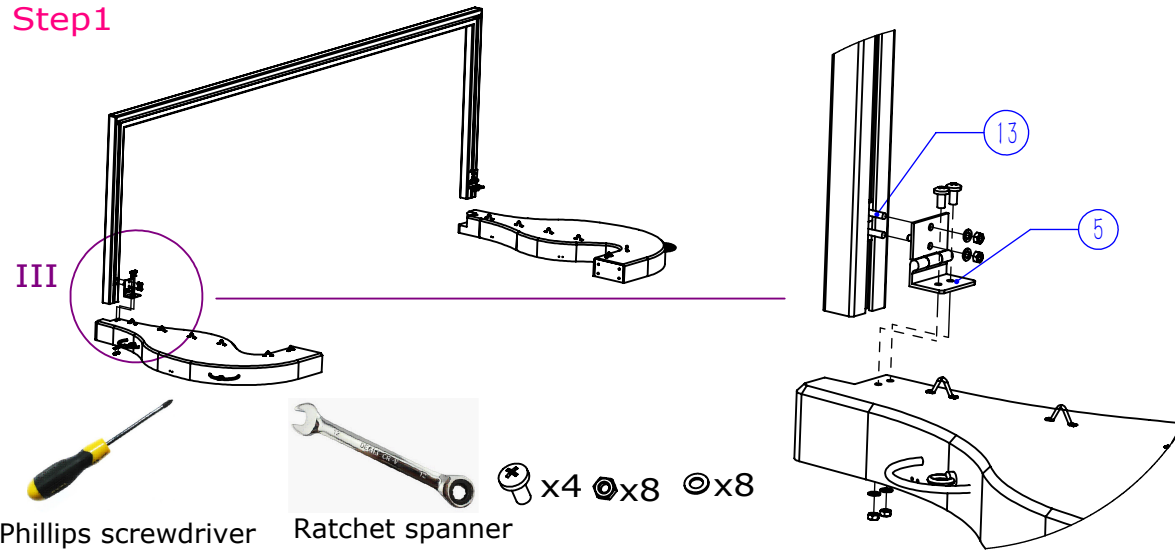
Project Name: Anti Pro Goal 750				Product Name: Assembly Instructions				Project No.		Product No.	
Drawn				Brian		Scale		1:25		Patents	
								2016/5/24		Verify Date	
2001285610; 7100219; 4048677; 01818714.5 & 2003/2920 e.g.											

Anti Pro Goal Assembly Instructions

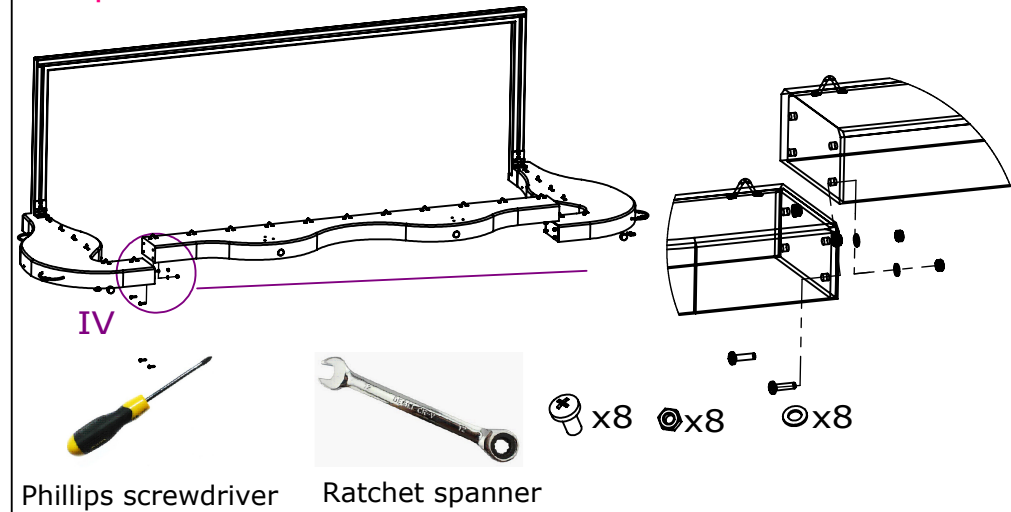
No	Name	Qty
1	Front Frame	1
2	Black Net	1
3	SS316 Cable	1
4	Side Bow	2
5	SS316 Hinge	2
6	Small Float	2
7	Big Float	1
8	Bow Base A	2
9	Bow Base B	2
10	Net Clip	22
11	D-Shackle	26
12	SS316 Saddle	24
13	Slide Block	8
14	M8 Nut and washer	28
15	Round Head Bolt M8x30L	12
16	Round Head Bolt M8x60L	2
17	Countersunk Bolt M8x30L	6
18	SS316 Tube	2



Step 1



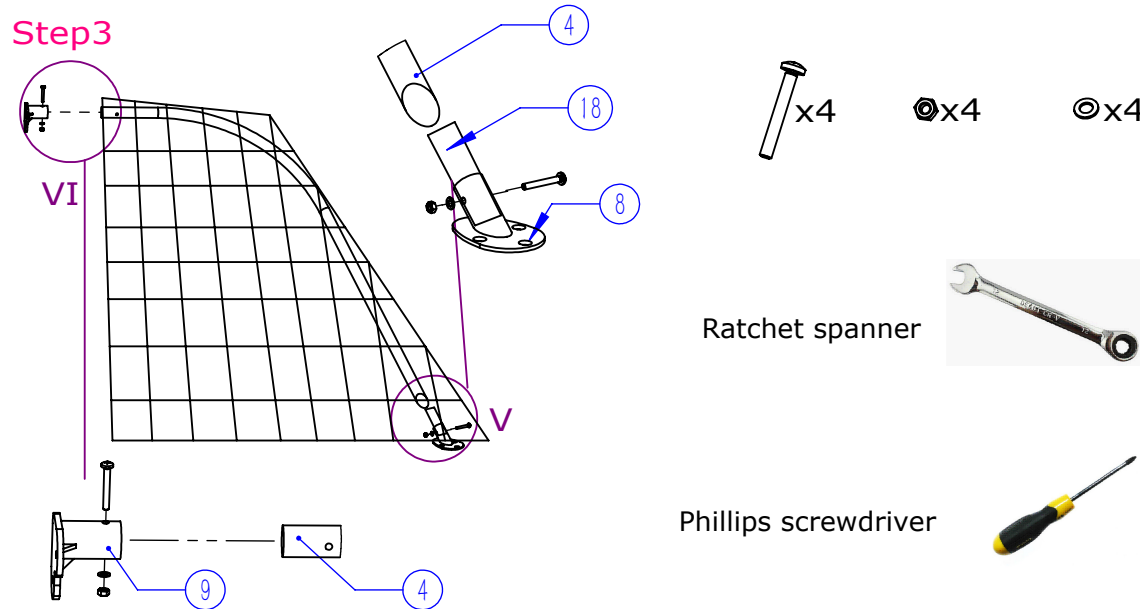
Step 2



Use the SS Hinges(5),Slide Block(13),Round Head Bolts M8x30(12),M8 Washer and Lock Nuts(14) to connect Front Frame(1) to the Small Floats(6)

Line up the holes of the Big Float(7),use Round Head Bolts M8X30L (12), M8 Lock Nuts and Washers (14)to connect them.

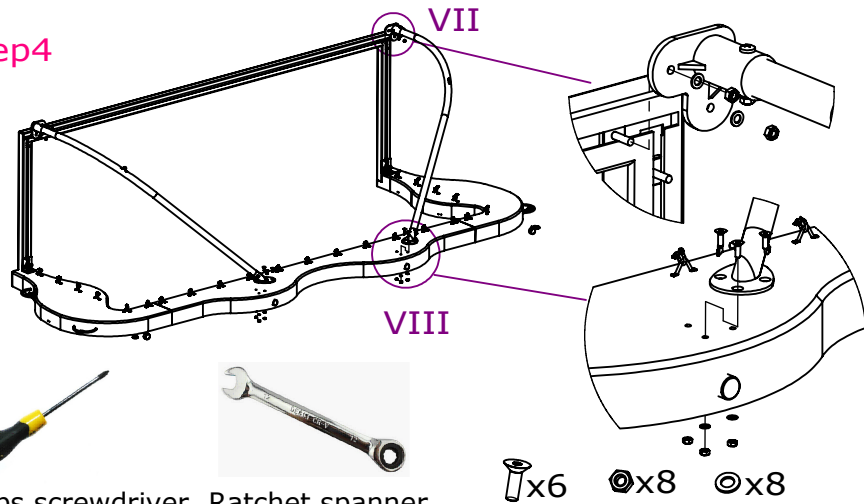
Step 3



Slip SS Tube(18) to the Bow Base A (8),use Round Head Bolt M8X60L(16), M8 Lock Nuts and Washers(14) to connect them.From the Top Corner of the Black Net(2), count seven squares away from the Top frame and Slip the Bow (4) through the Black Net(2) in this square as shown in diagram.Slip the Bow with Bow Base A(8) and net to the Bow Base B(9), Use Round Head Bolt M8X60L(16),M8 Lock Nuts and Washer(14) to connect them.

Project Name: Anti Pro Goal 750				Product Name: Assembly Instructions				Project No.		Product No.	
Drawn	Brian	Scale	NO	Patents	2001285610; 7100219; 4048677; 01818714.5 & 2003/2920 e.g.				Drawn Date	2016/5/24	Verify Date

Step 4

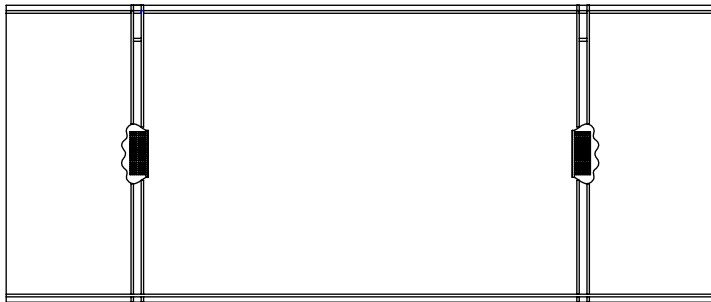


Phillips screwdriver Ratchet spanner

x6 x8 x8

Slip the Slide Blocks(13), Use the Slide Block(13), M8 Washers and Lock Nuts(14) to connect one end of Side Bows(4) to Front Frame. Use M8x30 Countersunk Blots(17), M8 Washers and Lock Nuts(14) to connect the other end to Big Float(7)

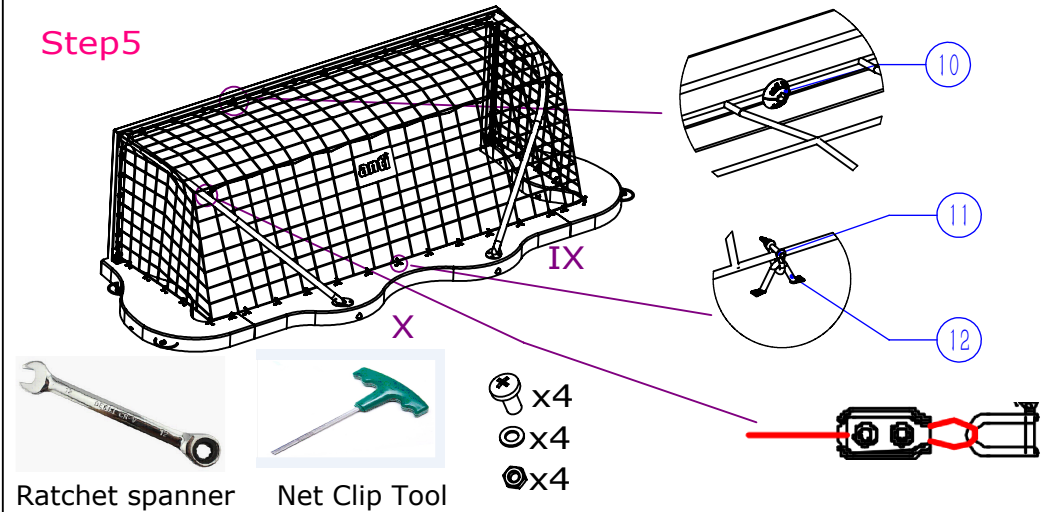
Step 6



Follow from Step 1 to Step 5 to assemble another Anti Pro Goal, then install the two Anti Goals in the Polo Pool.

For information about competition Polo Field Setup please contact us for details.

Step 5



Ratchet spanner Net Clip Tool

x4 x4 x4

Use the Net Clip(10) and D-Shackle(11) to Fix the Net(2) Connect the SS Cable to the Saddle of the both Side Bows with Shackles. To connect the Net to the Frame with the Net clips, place the Edge of the Net into the Alu Channel and then place the Net Clip into the Alu Channel, and using the Net Clip Tool provided, twist the Net Clip 90 Degrees, so that the Net Clip Wings lock into the Channel firmly.

Necessary Tools



Ratchet spanner



Phillips screwdriver



Net Clip Tool

Necessary personnel : 1 person