



ECLIPSE

Features

- Marine grade fabric guarantees longevity
- Anodized aluminum means no rust, no paint to flake
- Maximize your space & shade with no center post
- Easy to use
- Full 360° rotation
- Folds into a compact vertical format
- Can be removed for seasonal storage
- Easy Installation options

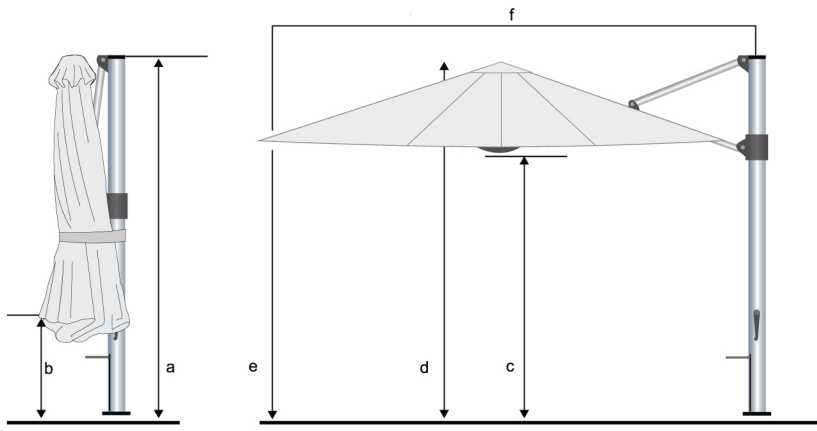
FULL 360° ROTATION

This elegant & modern side-post umbrella combines style with strength, size and durability. The multiple tilt level give maximum shade flexibility. A wonderful choice for outdoor living, entertaining and relaxation.

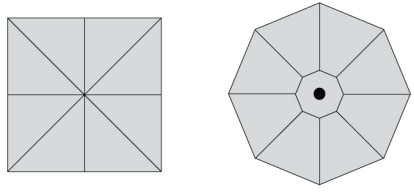


ECLIPSE

Contemporary design, robust & durable cantilever umbrella with a 360° rotation feature.



Dimension



Dimensions of closed umbrella		10' Square	13' Octagon
a	Mast height (inches)	9ft 4in	9ft 4in
b	Distance from arms to ground (inches)	6ft 5in	6ft 5in
Weight of umbrella when folded		100lbs	120lbs

Dimensions of open umbrella

c	Height to canopy hub	6ft 7in	6ft 7in
d	Total height to top of canopy	9ft 2in	9ft 2in
e	Height to edge of canopy	7ft 5in	7ft
f	Distance from outside edge of mast to outside edge of canopy	13ft	13ft
Width of canopy		10ft	13ft

Packaging Dimensions

Dimensions of cardboard packaging (inches)	11"x19"x144"	11"x19"x144"
Weight of umbrella when packaged in carton with spigot	120lbs	140lbs

Base & Install options

